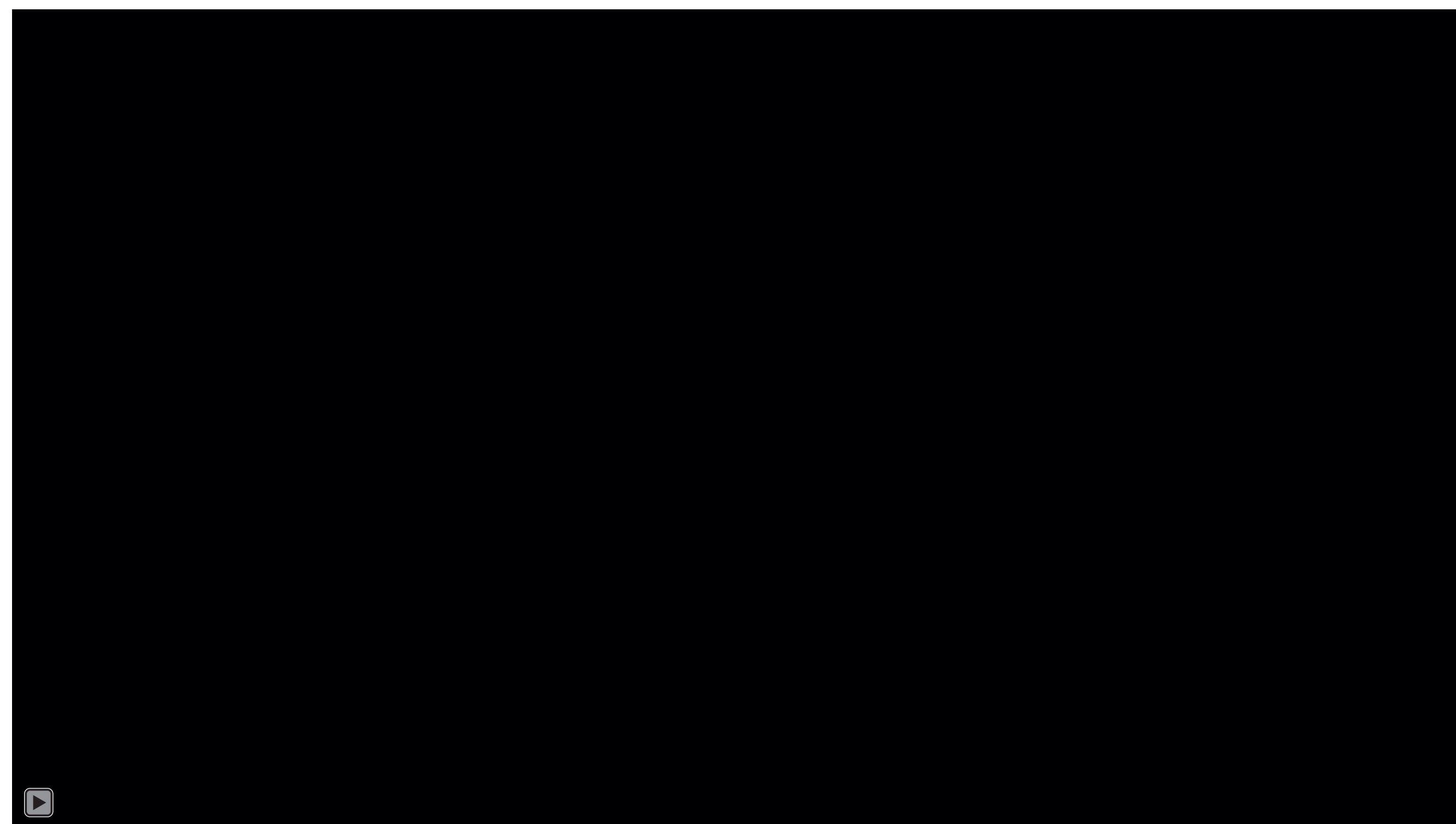


## INTRODUCTION

- This is a basic template for illustration purpose. You should design your own content.
- E-poster (screen) size: 142.24cm W x 80.01cm H (56" x 31.5")
  - Go to "Design" Toolbar → Select "Slide Size" → Select "Custom Slide Size" → Set 142.24cm W x 80.01cm H (56" x 31.5")
- LED screen aspect ratio: 16:9
- Only landscape orientation
- Recommended minimum font size: 42 points
- Only one page for each e-poster

## EMBED VIDEO

- Embed video in your poster
  - Go to "Insert" Toolbar → Select "Video" → Select "Video on my PC ..."
- Keep video running throughout the entire e-poster session
  - Go to "Slide Show" Toolbar → Select "Set Up Slide Show" → Check "Loop continuously until Esc"
  - Alternatively, Click on the video → Go to "Video Tools / Playback" → Select "Loop until Stopped"



## FLASH TEXT

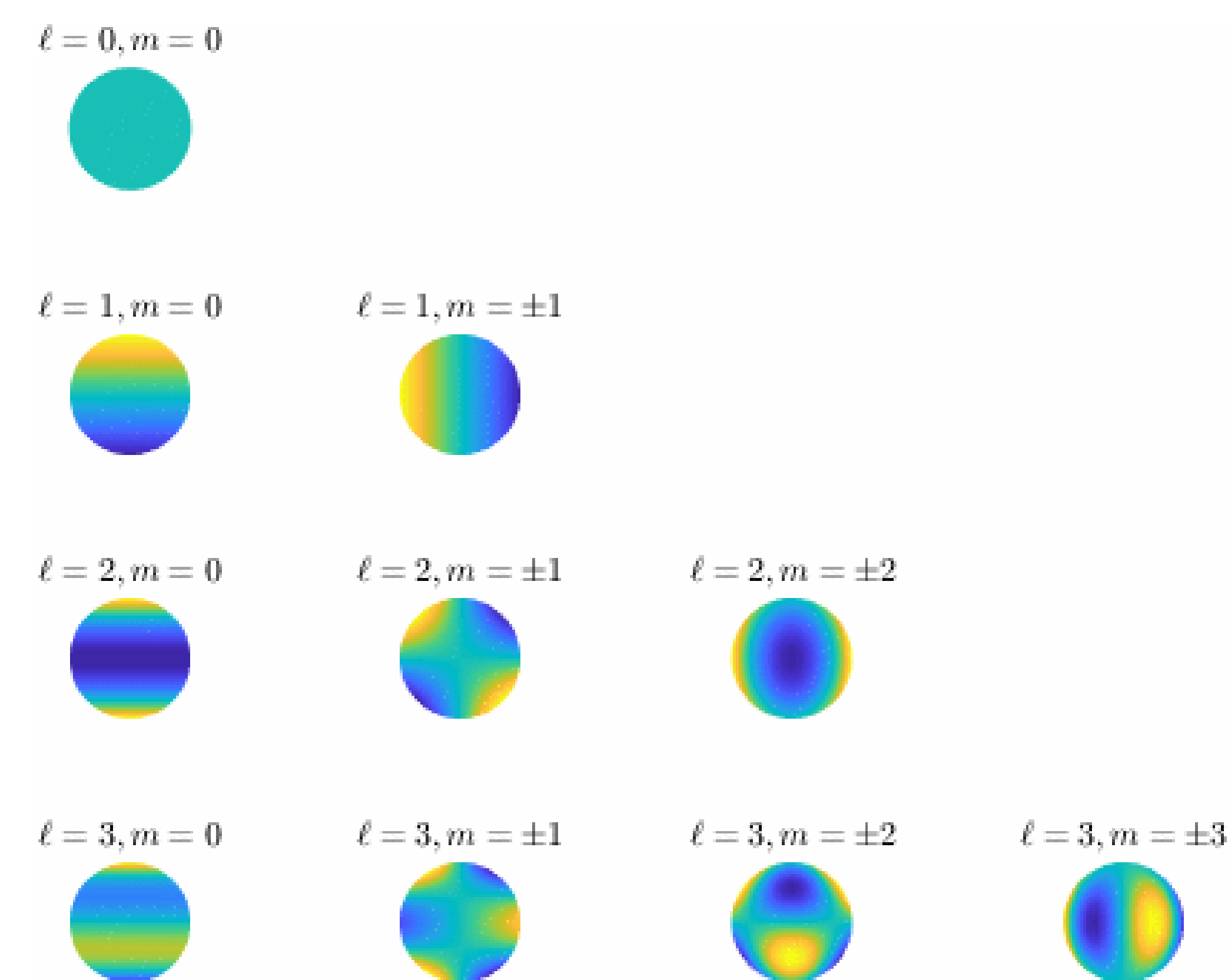
- Select the text of interest
- Go to "Animations" Toolbar → Roll down to Select "Pulse" → Open Animation Pane → Click on Downward Triangle → Select "Timing ..." → Set "Repeat" to "Until End of Slide"

## ATTENTION

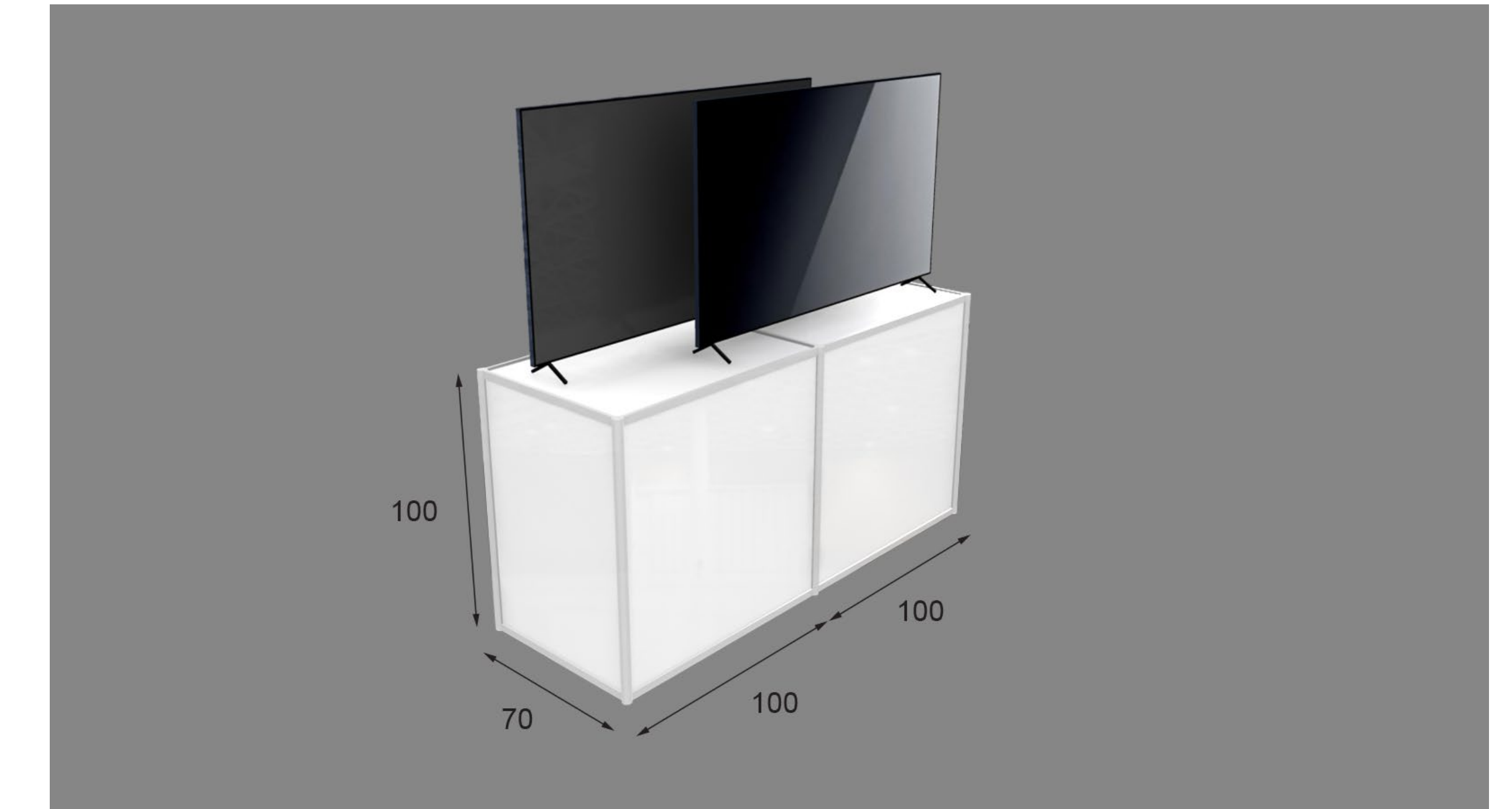
- Embedded media (video) can only be displayed in the following formats: .mov, .mp4, .mpeg.
- Place your video file along with your PowerPoint file.
- If you want to embed online video, ensure the availability of the internet or Wi-Fi network connection

## ANIMATION GRAPHICS

- You may display GIF graphics too



## E-POSTER



## CONCLUSION

- Bullet 1
- Bullet 2
- Bullet 3
- Bullet 4